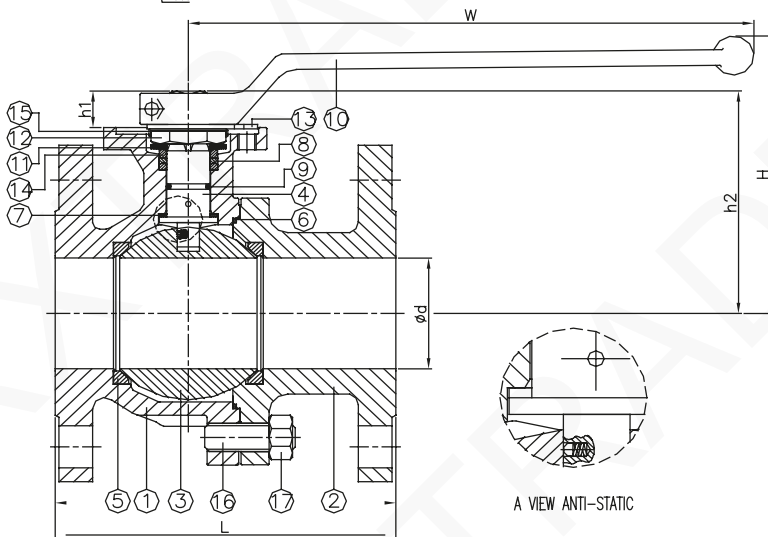
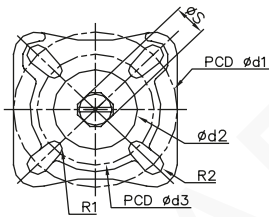
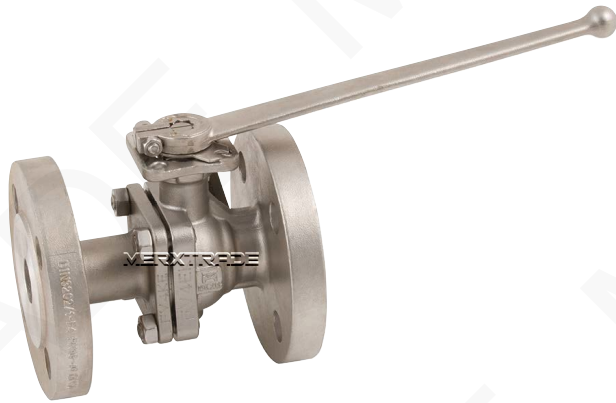


Stainless Steel 2 Piece Flanged PN16/PN40 Fire Safe Ball Valve

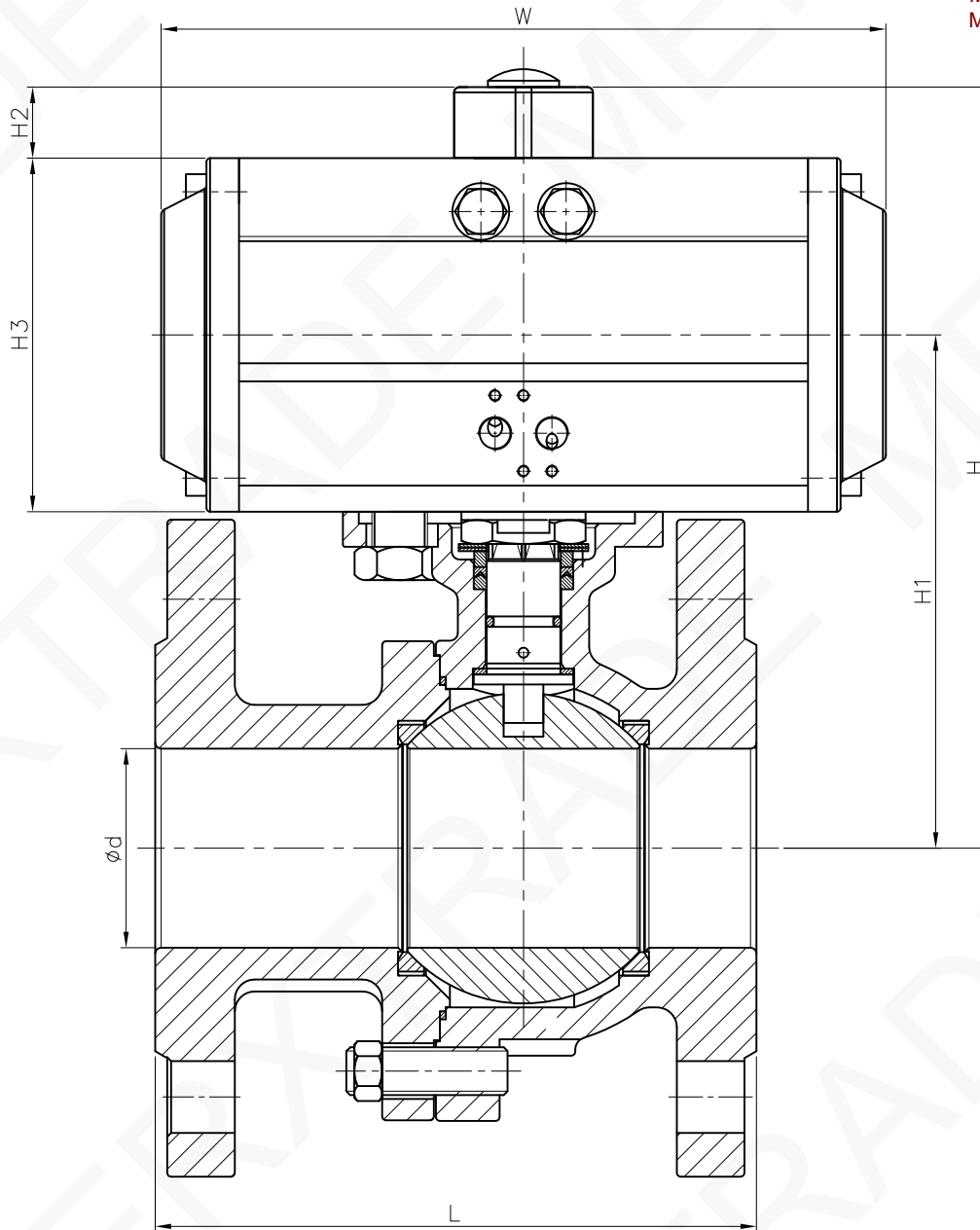


Features

- Full bore
- Flanged PN16/40 up to 2" and PN16 from 2 1/2" upwards
- Direct mount
- Fire safe approved and anti static
- DNV certified
- Investment casting
- Blowout proof stem
- Locking lever
- Suitable for steam up to 12 bar
- NACE MR0175
- Working Temperature: -20°C to +200° C
- Maximum Working Pressure: 40 bar 1/2" up to 2". 16 bar 2 1/2" upwards

Name	Material
Body	CF8M
Cap	CF8M
Ball	CF8M
Stem	316
Seat	PTFE
Seal	Graphite
Thrust Washer	CTFE
Packing	Graphite
O-ring	Viton

Size	d	L	H	W	ISO 5211	S	h1	d2	d3	d1	R1	R2	Torque Breakaway/Action
1/2"	15	115	86.5	197	F03/F04	9	8.5	26	36	42	2.75	2.75	3 / 5.2
3/4"	20	120	89	197	F03/F04	9	8.5	26	36	42	2.75	2.75	4.7 / 8
1"	24	125	93	197	F04/F05	11	11	30.5	42	50	2.75	3.5	9 / 12.5
1 1/4"	30	130	106	197	F04/F05	11	11	30.5	42	50	2.75	3.5	8.5 / 12
1 1/2"	38	140	121	247	F05/F07	14	15	35	50	70	3.5	4.5	18 / 24.5
2"	50	151	129	247	F05/F07	14	15	35	50	70	3.5	4.5	23 / 32
2 1/2"	84	170	158	340	F07	17	22	47	70	102	4.5	5.5	27 / 38
3"	76	183	166	340	F07	17	22	47	70	102	4.5	5.5	30 / 45
4"	125	191	189	340	F10	22	24	57	102	125	6.5	7.5	37 / 55
5"	150	325	229	708	F10/F12	27	27	-	102	125	6.5	7.5	143 / 221
6"	200	350	248	708	F10/F12	27	27	-	102	125	6.5	7.5	195 / 351

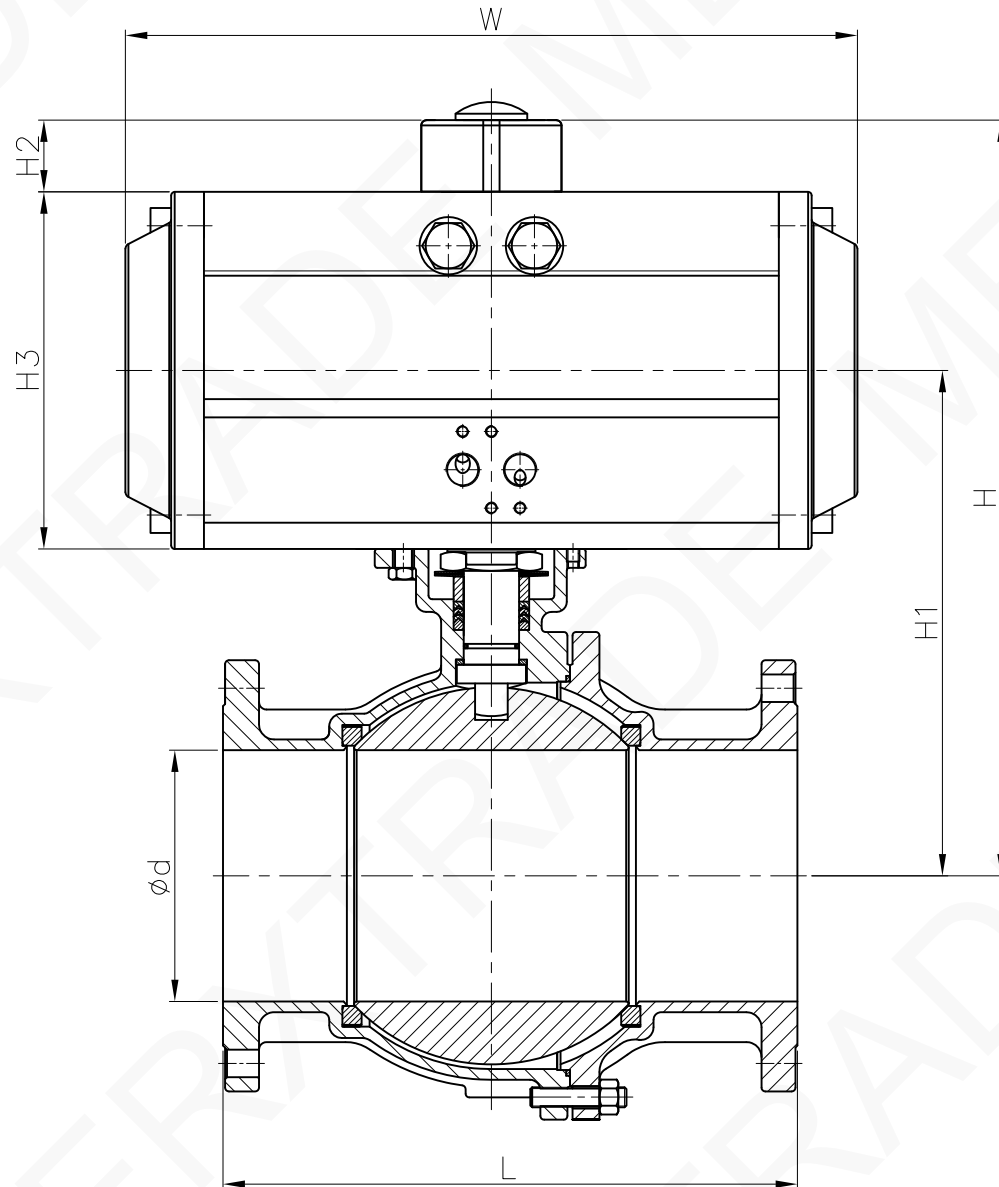


DN	d	W		L	H		H1		H2	H3		Actuators	
		HTS	HTD		HTS	HTD	HTS	HTD		HTS	HTD	HTS	HTD
15	15	157.5	110	115	145.5	116.5	88.5	74	20	74	45	HTS-052-10	HTD-032
20	20	157.5	110	120	148	119	91	76.5	20	74	45	HTS-052-10	HTD-032
25	24	190	157.5	125	166	152	102	95	20	88	74	HTS-063-10	HTD-052
32	30	190	157.5	130	179	165	115	108	20	88	74	HTS-063-10	HTD-052
40	38	205.5	190	140	196	184	126	120	20	100	88	HTS-075-10	HTD-063
50	50	259	190	150	224	192	144	128	20	120	88	HTS-092-10	HTD-063
65	64	259	211	170	245	234	165	159.5	20	120	109	HTS-092-10	HTD-083
80	76	259	211	180	252.5	241.5	172.5	167	20	120	109	HTS-092-10	HTD-083
100	100	285	285	190	289	289	202.5	202.5	20	133	133	HTS-105-10	HTD-105

unit:mm

NPS	d	W		L	H		H1		H2	H3		Actuators	
		HTS	HTD		HTS	HTD	HTS	HTD		HTS	HTD	HTS	HTD
1/2"	0.59	6.2	4.33	4.53	5.73	4.59	3.48	2.91	0.79	2.91	1.77	HTS-052-10	HTD-032
3/4"	0.79	6.2	4.33	4.72	5.83	4.69	3.58	3.01	0.79	2.91	1.77	HTS-052-10	HTD-032
1"	0.94	7.48	6.2	4.92	6.54	5.98	4.02	3.74	0.79	3.46	2.91	HTS-063-10	HTD-052
1 1/4"	1.18	7.48	6.2	5.12	7.05	6.5	4.53	4.25	0.79	3.46	2.91	HTS-063-10	HTD-052
1 1/2"	1.5	8.09	7.48	5.51	7.72	7.24	4.96	4.72	0.79	3.94	3.46	HTS-075-10	HTD-063
2"	1.97	10.2	7.48	5.91	8.82	7.56	5.67	5.04	0.79	4.72	3.46	HTS-092-10	HTD-063
2-1/2"	2.52	10.2	8.31	6.69	9.65	9.21	6.5	6.28	0.79	4.72	4.29	HTS-092-10	HTD-083
3"	2.99	10.2	8.31	7.09	9.94	9.51	6.79	6.57	0.79	4.72	4.29	HTS-092-10	HTD-083
4"	3.94	11.22	11.22	7.48	11.38	11.38	7.97	7.97	0.79	5.24	5.24	HTS-105-10	HTD-105

unit:in



DN	d	W		L	H		H1		H2	H3		Actuators	
		HTS	HTD		HTS	HTD	HTS	HTD		HTS	HTD		
125	125	411.5	411.5	325	371.5	371.5	265.8	265.8	20	171.5	171.5	HTS-140-10	HTD-140
150	150	475	411.5	350	418	392.5	299.5	286.8	20	197	171.5	HTS-160-10	HTD-140
200	200	568.5	534	400	544	518.6	386.5	373.8	30	255	229.6	HTS-210-10	HTD-190
250	250	668	534	450	617	554.6	441	409.8	30	292	229.6	HTS-240-10	HTD-190

unit:mm

NPS	d	W		L	H		H1		H2	H3		Actuators	
		HTS	HTD		HTS	HTD	HTS	HTD		HTS	HTD		
5"	4.92	16.2	16.2	12.8	14.63	14.63	10.46	10.46	0.79	6.75	6.75	HTS-140-10	HTD-140
6"	5.91	18.7	16.2	13.78	16.46	15.45	11.79	11.29	0.79	7.76	6.75	HTS-160-10	HTD-140
8"	7.87	22.38	21.02	15.75	21.42	20.42	15.22	14.72	1.18	10.04	9.04	HTS-210-10	HTD-190
10"	9.84	26.3	21.02	17.72	24.29	21.83	17.36	16.13	1.18	11.5	9.04	HTS-240-10	HTD-190

unit:in